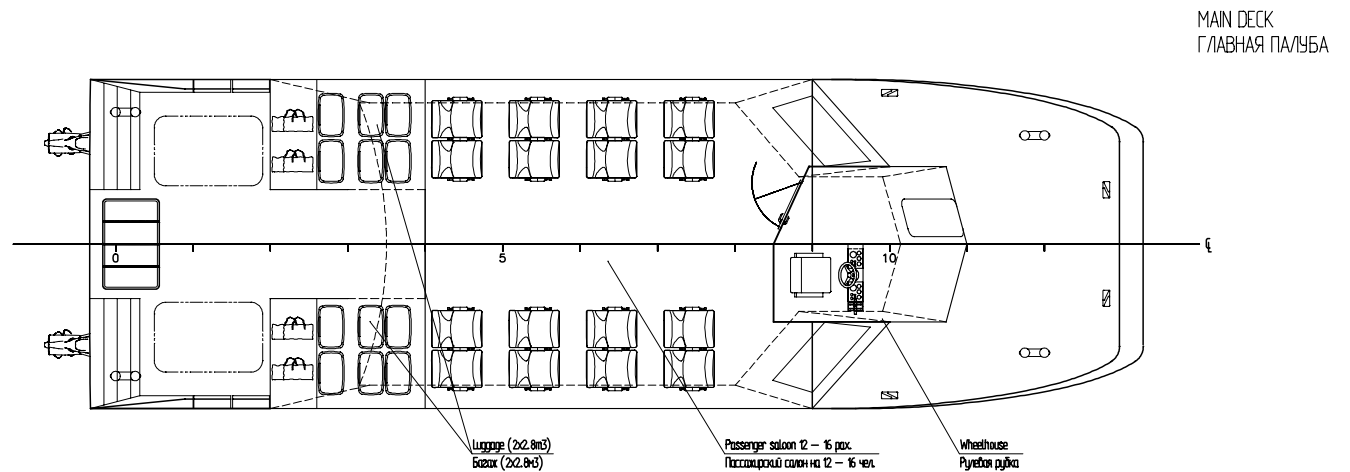
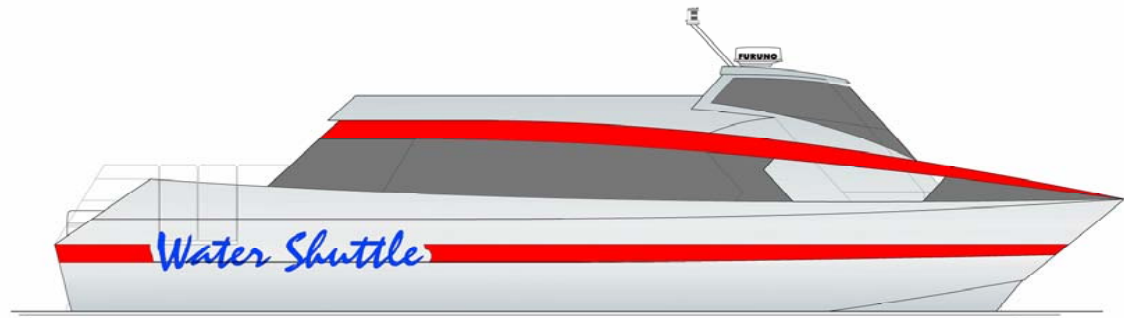


FAST WATER SHUTTLE ECOFOIL12 PROJECT

Leading particulars:

LOA	14.2 m
Beam max	4.2 m
Molded depth	1.4 m
Draught:	
fully loaded at speed	0.7 m
at rest with retracted foil	0.9 m
at rest with foil in operational position	1.4 m
Service speed	40 kn
Main engines	Volvo-Penta D6-280A (2 x 206 kW)
Propulsion	Volvo-Penta DuoProp
Generators	mounted on ME (2 x 1.38 kW)
Range (40 kn)	100 n.miles
Overall fuel consumption at service speed	110 l/h
Seakeeping	up to 1.0 m significant wave height at 100% MCR
Passenger capacity	up to 20
Deadweight:	2,260 kr
Fuel oil tank capacity	600 l
Foil:	single surface-piercing semi-stabilizing hydraulically retractable solid stainless steel front foil
Hull & Superstructure	GRP or marine grade aluminum alloy
Classification	according to Customer's request



Number of vessels being built: 4